

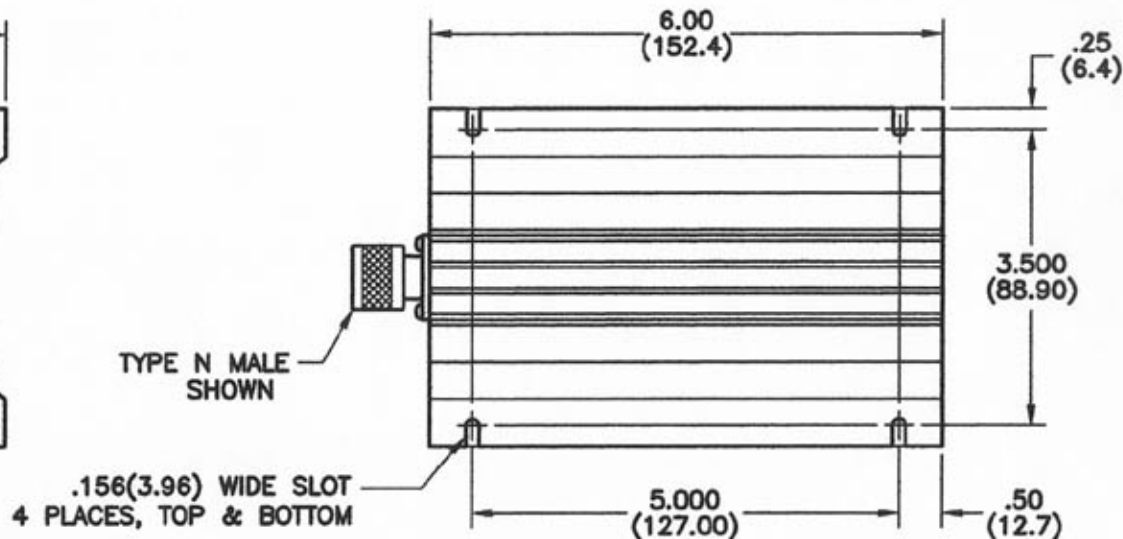
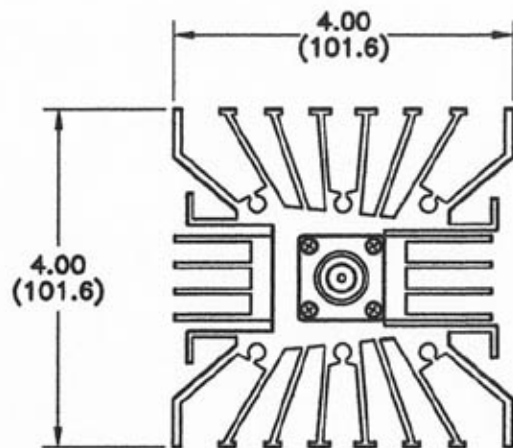
4

3

2

1

REVISIONS					
REV	ZONE	DESCRIPTION	DATE	BY	ECO



SPECIFICATIONS

FREQUENCY RANGE - DC TO 6.0 GHz

IMPEDANCE - 50 OHMS

VSWR (DC - 2.0 GHz) - 1.20:1

(2.0 - 4.0 GHz) - 1.28:1

(4.0 - 6.0 GHz) - 1.30:1

INPUT POWER (AVG.) - 150 WATTS

(PEAK) - 2000 WATTS

OPERATING TEMPERATURE - -55°C TO +125°C

CONNECTOR TYPES - TYPE N, TNC, 7/16 DIN,
PLUG OR JACK
(TYPE N JACK SHOWN)

DIMENSIONS: INCHES
(MILLIMETERS)

TOLERANCES		SIGNATURES		DATE
DEC.XX ± .05	FRACTION ±	DR	G.V. Cothron	8-28-08
.XXX ± .010	ANG ±	CHK		
MATERIAL		APPD		
FINISH		APPD		

THE INFORMATION CONTAINED IN THIS DOCUMENT IS THE PROPERTY OF MICROWAVE DEVICES, INC. AND IS PROPRIETARY. IT IS NOT TO BE COPIED OR USED FOR ANY PURPOSE OTHER THAN AS INSTRUCTED, IN WRITING, BY MICROWAVE DEVICES, INC.

MICROWAVE DEVICES
(RF and Microwave Components)

**OUTLINE, TERMINATION
MODEL 6150X6, 150 W.**

CAGE	SIZE	DRAWING NO.
60674	B	900767
DRAWING SCALE		SHEET 1 OF 1

CONTACT: MICROWAVE DEVICES - 1150 N. GRAHAM RD.
FRANKLIN, IN 48131 (517) 738-8833

DIMENSIONS ARE IN INCHES UNLESS OTHERWISE SPECIFIED.

4

3

2

1